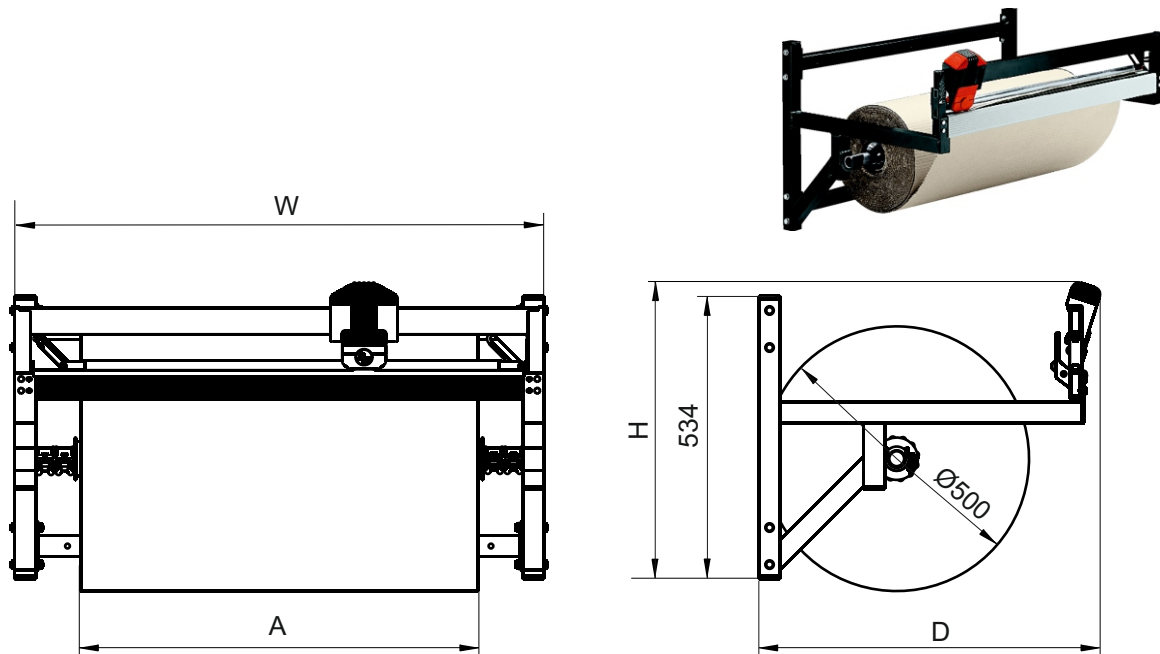




SYSTEM wall-mounted cutting system



| | | | | | | |
|-------------------------|--------------|--------------|--------------|--------------|--|--|
| max. roll width A (mm) | 750 | 1000 | 1250 | 1600 | | |
| max. roll-diameter (mm) | 500 | 500 | 500 | 500 | | |
| Width W (mm): | 1000 | 1250 | 1500 | 1850 | | |
| Depth D (mm): | 645 | 645 | 645 | 645 | | |
| Height H (mm): | 559 | 559 | 559 | 559 | | |
| max.roll weight (kg): | 200.00 | 200.00 | 200.00 | 200.00 | | |
| Net weight (kg): | 19.50 | 22.60 | 24.50 | 28.50 | | |
| Ref.: | 26007 | 26010 | 26012 | 26016 | | |

Description:

Choose from our proven cutting systems with dispenser for roll material (such as paper, cardboard or foil) for use either as a stand-alone cutting station or right next to the packing workplace. The machinery quickly pays for itself since roll material is cheaper than cuttings.

Not only that, but it also makes the dangerous and time-consuming handling of knives and scissors superfluous.

The cutter cartridges can be exchanged without any effort. The round cutter for paper, cardboard, etc., the blade for all soft foil. A clamping mechanism allows comfortable insertion of the material and safe holding after every cut.

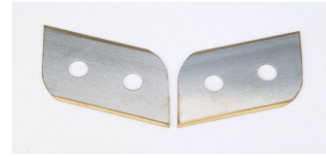
- Spindle Ø 32 mm
-
- Max. roll weight 200 kg
-
- Max. roll-Ø 500 mm
-
- incl. 1 cutter cassette with round cutter for paper, cardboard, etc.
-
- incl. 1 cutter cassette with blades for soft foil
-
- Mounting materials not included



SYSTEM wall-mounted cutting system



Cutting wheel
for paper, cardboard, etc.
Ref. 625010



Blade bipartite for cassette
for films, bubble foils etc.
(without fixing plate)
Ref. 6250200



Cassette complete with
cutting wheel for paper,
cardboard, etc.
Ref. 62501



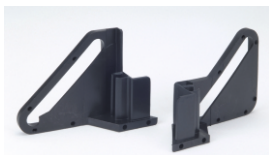
Cassette complete with
blades, bipartite
Ref. 62502N



Cutting slide, horizontal
(without cutter cassette)
Ref. 62500



Set of sliding shoes
for cutting carriage
Ref. 63525



Side guidance (1 pair)
for clamping bar
Ref. 63520



Fastening fork with bolt (1 pair)
for clamping bar
Ref. 63521



Cones with clampings
(1 set) for core diameter 60-85mm
Ref. 62/11


SYSTEM wall-mounted cutting system

| Ref. | 26007 | 26010 | 26012 | 26016 |
|------------------------|----------------------|----------------------|----------------------|----------------------|
| EAN: | 4030177005290 | 4030177005313 | 4030177005337 | 4030177005351 |
| Net weight (kg) | 21.30 | 24.40 | 26.60 | 31.10 |
| Number of packet: | 3 | 3 | 3 | 3 |
| Packet 1 | | | | |
| Ref.: | 26000/1 | 26000/1 | 26000/1 | 26000/1 |
| EAN: | 4030177005276 | 4030177005276 | 4030177005276 | 4030177005276 |
| Size WxDxH (mm): | 560x630x100 | 560x630x100 | 560x630x100 | 560x630x100 |
| Weight (kg): | 9.10 | 9.10 | 9.10 | 9.10 |
| | | | | |
| Packet 2 | | | | |
| Ref.: | 26007/2 | 26010/2 | 26012/2 | 26016/2 |
| EAN: | 4030177005306 | 4030177005320 | 4030177005344 | 4030177005368 |
| Size WxDxH (mm): | 100x950x100 | 100x1200x100 | 100x1450x100 | 100x1800x100 |
| Weight (kg): | 4.70 | 5.80 | 7.50 | 9.00 |
| | | | | |
| Packet 3 | | | | |
| Ref.: | 250071 | 250101 | 250121 | 250161 |
| EAN: | 4030177004385 | 403017704408 | 4030177034719 | 4030177004446 |
| Size WxDxH (mm): | 250x1000x90 | 250x1300x90 | 250x1600x90 | 250x1900x90 |
| Weight (kg): | 7.50 | 9.50 | 10.00 | 13.00 |