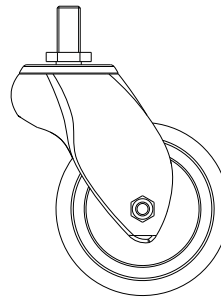
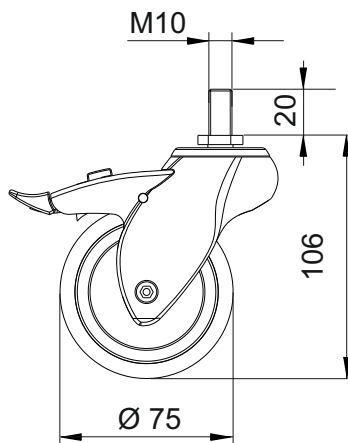




## Swivel castors for cutter stand



Order no.	23601		
Roll diameter $\varnothing$ (mm):	75		
Installation height (mm):	106		
Net weight (kg):	0.80		

### Description:

Swivel castors for cutter stand

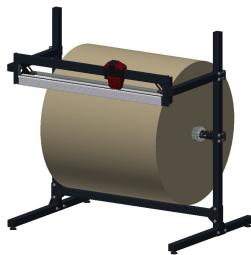
- 4 swivel castors, 2 with Brakes
- plastic red/black
- roll diameter 75 mm
- for devices 262..N; 264..., 265..
- max. load capacity per castor 70 kg



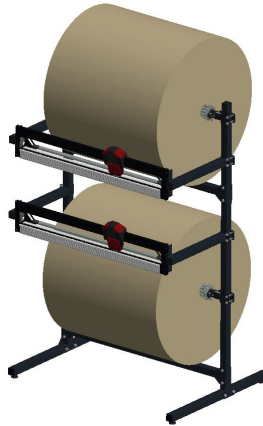
Swivel castor for cutter stand

Order no.	23601		
Number of packets:	1		
EAN:	4030177040390		
Size WxDxH (mm):	110x395x60		
Weight (kg):	0.90		

Examples:  
Optional accessories



Cutter stand, horizontal  
Order no. 26210N - 26220N



Dual cutter stands  
Order no. 26510 - 26520



Cutter stand, for 2 rolls  
Order no. 26510 - 26520