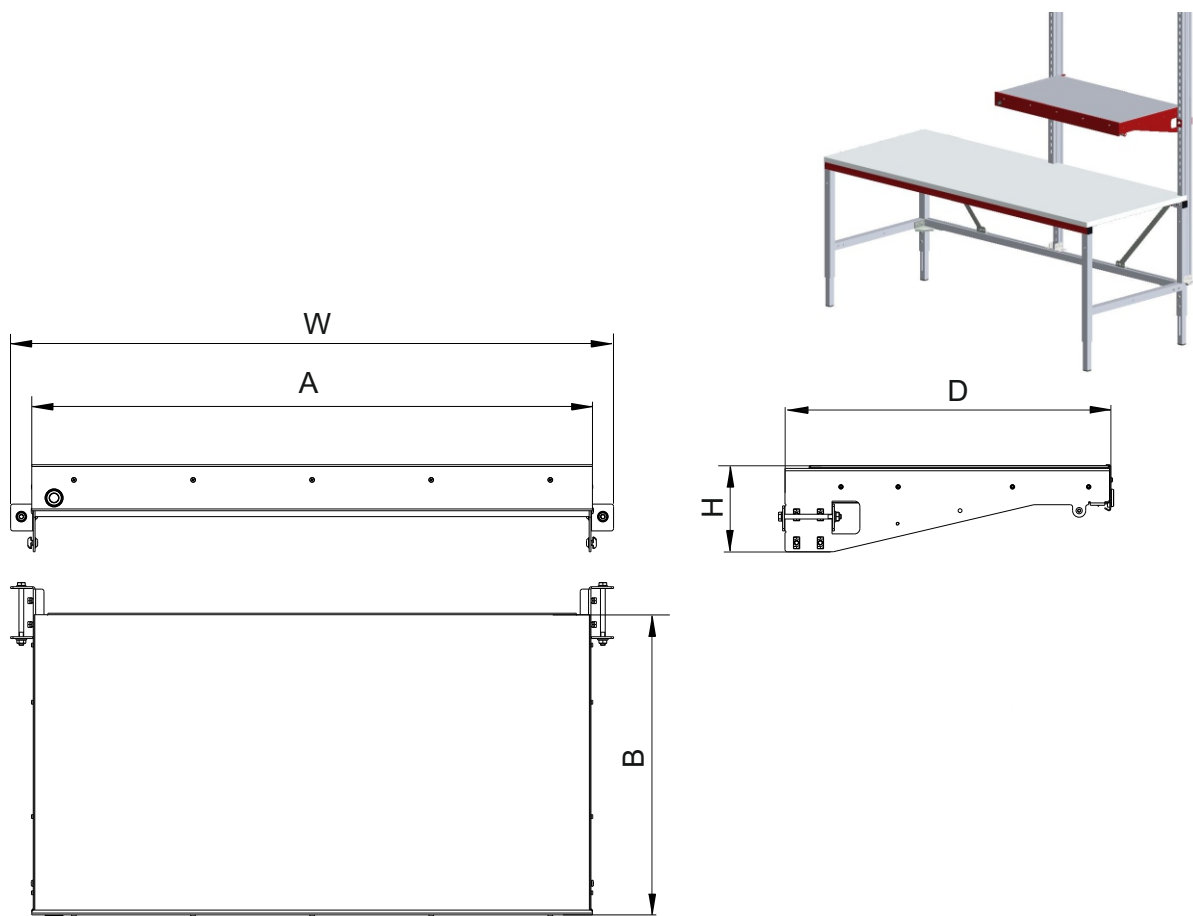



SYSTEM FLEX Retracting shelf HD 800mm


Ref.:	73304100	73304101	73304190
Colour combination:	RAL 9006 / 3003	RAL 9006 / 5010	RAL 9006 / RAL Flex
Width W (mm):	812.5	812.5	812.5
Depth D (mm):	547	547	547
Height H (mm):	146	146	146
Useable area A x B (mm):	734 x 500	734 x 500	734 x 500
Net Weight (kg):	11.30	11.30	11.30

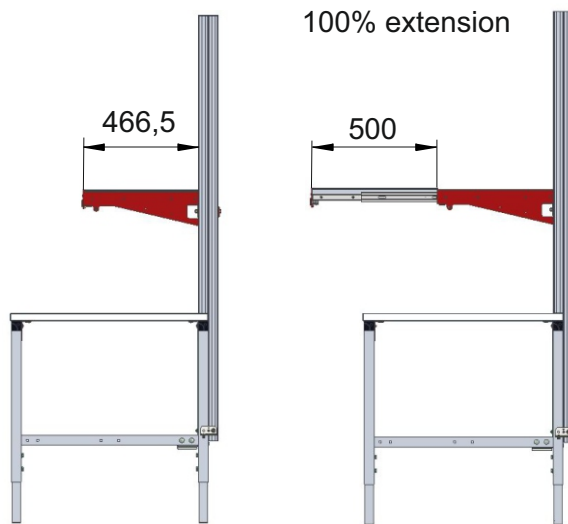
Description:
 Retracting shelf HD

- for screwing into the functional grooves in the mounting profiles HD
- height adjustable in the system perforations
- ideal for label printers
- 100% extension for optimum roll change
- colour: white aluminium RAL 9006 / ruby red RAL 3003 or white aluminium RAL 9006 / Gentian blue RAL 5010 or white aluminium RAL9006 / RAL Flex
- max. load capacity 40 kg



SYSTEM FLEX Retracting shelf HD 800mm

Ref.:	73304100	73304101	73304190
Number of packets:	1	1	1
EAN:	4030177091958	4030177091965	4030177091972
Size WxDxH (mm):			
Weight (kg):	11.30	11.30	11.30



examples:
optional accessories



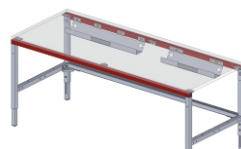
Cable clips
(1 Set = 10 pcs.)
Ref.: 73312200



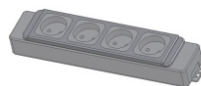
4-way socket, white
without power cable
Ref.:73311601
4-way socket, black
without power cable
Ref.:73311600



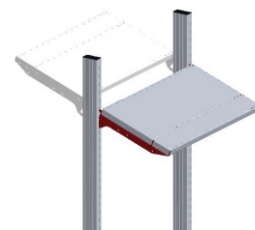
Mounting profile HD (long)
Ref.: 73308010



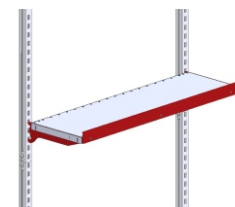
Cable tray to fit at
the table frame profile
Ref.: 73600088
Ref.: 73600026



4-way socket without
frame raise
Ref.: 93510152



Shelf complete with
supporting arm
Type C
Ref.: 73306500 -
73309100



Shelf complete with
supporting arm Type A
Ref.: 73306900 -
73307401

Power cord
length: 3000mm, black
Ref.: 73310200

All information / dimensions approx., techn. information subject to change • as of: 04/2023