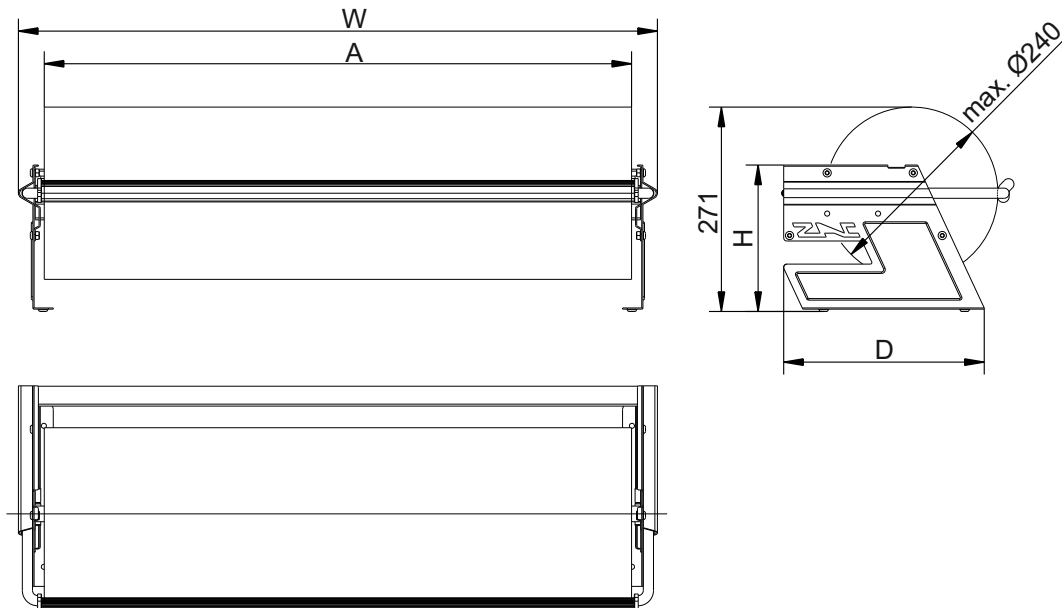




## ZAC Table-Undertable dispenser



max. roll width A (mm)	<b>300</b>	<b>400</b>	<b>500</b>	<b>600</b>	<b>650</b>	<b>750</b>	<b>800</b>	<b>1000</b>
max. roll diameter (mm)	240	240	240	240	240	240	240	240
width W (mm):	366	466	566	666	716	816	866	1066
depth D (mm):	256	256	256	256	256	256	256	256
height H (mm):	187	187	187	187	187	187	187	187
Net weight (kg):	2.60	2.90	3.20	3.50	3.60	3.90	4.00	4.50
Ref.	<b>136030</b>	<b>136040</b>	<b>136050</b>	<b>136060</b>	<b>136065</b>	<b>136075</b>	<b>136080</b>	<b>136100</b>

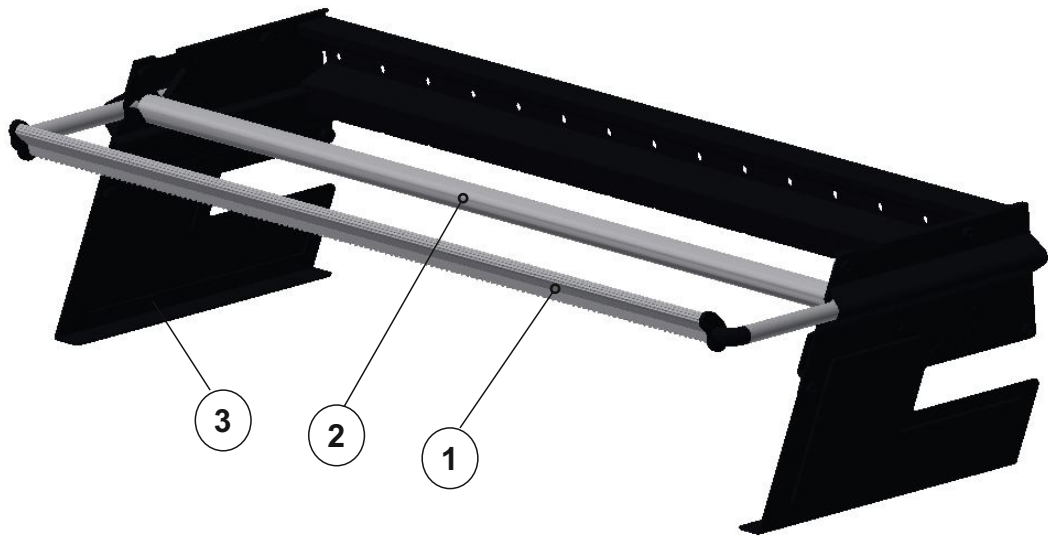
### Description:

The ZAC guarantees all the functionality you would expect from a dispenser:

- practical single-hand operation
- hinged tear-off bar makes changing rolls easy
- serrated bar for paper and film as standard
- for paper and film rolls measuring 30 to 100 cm in width an 24 cm in diameter, max. 20 kg
- spring-loaded bar for constant pressure and ease of tear
- the use as undertable-dispenser is possible without additional installation material and accessories

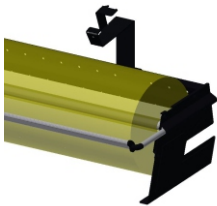


## ZAC Table-Undertable dispenser



Ref. Table dispenser:	<b>136030</b>	<b>136040</b>	<b>136050</b>	<b>136060</b>	<b>136065</b>	<b>136075</b>	<b>136080</b>	<b>136100</b>
max. roll width (mm)	<b>300</b>	<b>400</b>	<b>500</b>	<b>600</b>	<b>650</b>	<b>750</b>	<b>800</b>	<b>1000</b>
Pos.1 Tear bar compl.	613130	613140	613150	613160	613165	613175	613180	613111
Pos.2 Axis	613030	613040	613050	613060	613065	613075	613080	613011
Pos.3 Feet compl.	136000	136000	136000	136000	136000	136000	136000	136000

### Optional accessories



Dispenser for  
adhesive tape  
Ref. 120302



Dispenser attachment  
for 4 bobbins  
Ref. 120424



Dispenser attachment  
for 8 bobbins  
Ref. 120428



Dispenser attachment  
Ref. 138...

If you take this combination, please note,  
that the dispenser attachment is not  
greater than the table dispenser.



## ZAC Table-Undertable dispenser

Ref.	<b>136030</b>	<b>136040</b>	<b>136050</b>
Number of packet:	1	1	1
EAN:	4030177001483	4030177001490	4030177001506
Size WxDxH (mm):	220x360x105	220x465x105	220x570x105
Weight (kg):	2.90	3.20	3.50

Ref.	<b>136060</b>	<b>136065</b>	<b>136075</b>
Number of packet:	1	1	1
EAN:	4030177001513	4030177001520	4030177001537
Size WxDxH (mm):	220x660x105	220x670x105	220x810x105
Weight (kg):	3.80	4.10	4.30

Ref.	<b>136080</b>	<b>136100</b>	
Number of packet:	1	1	
EAN:	4030177001544	4030177001551	
Size WxDxH (mm):	220x860x105	220x1060x105	
Weight (kg):	4.50	5.10	