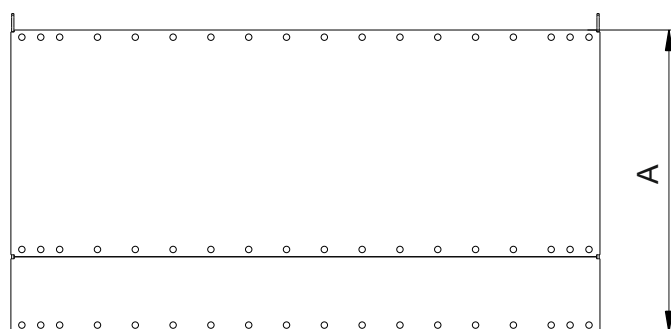
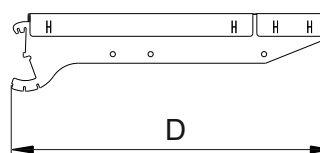
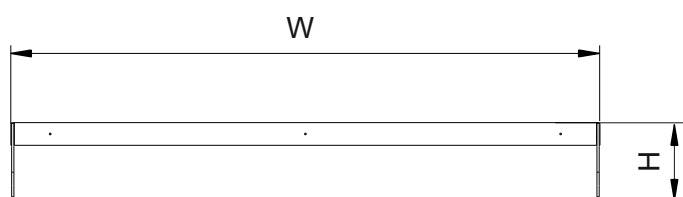
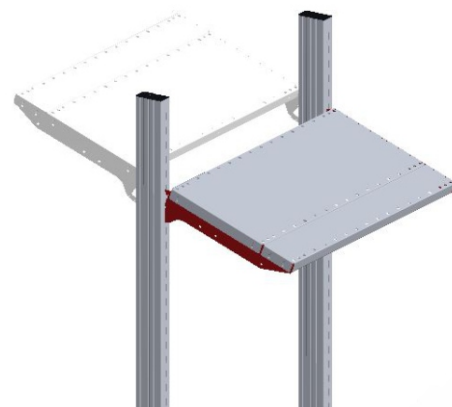




SYSTEM FLEX Shelf with support arms Type C - 800mm



Ref.:	73306500	73306800	73307900
Colour combination:	RAL 9006 / 3003	RAL 9006 / 3003	RAL 9006 / 3003
Ref.:	73306501	73306801	73307901
Colour combination:	RAL 9006 / 5010	RAL 9006 / 5010	RAL 9006 / 5010
Ref.:	73306590	73306890	73307990
Colour combination:	RAL 9006 / RAL Flex	RAL 9006 / RAL Flex	RAL 9006 / RAL Flex
Width W (mm):	779	779	779
Depth D (mm):	223	323	423
Height H (mm):	103	103	103
Useable area W x A (mm):	779 x 200	779 x 300	779 x 400
Net weight (kg):	2.50	3.40	4.90

Description:
Shelf with support arms Type C

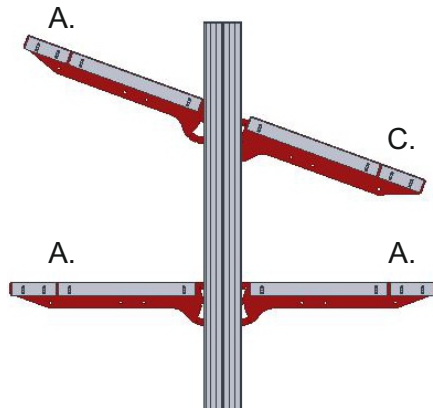
- for hooking into the system perforations in the mounting profiles HD
- carrier arms ruby red RAL 3003 or Gentian blue RAL 5010 or RAL Flex
- the shelves are prepared for the use of dividers (only with a depth of 300mm), stop edges and stop brackets
- max. load capacity 25 kg.



SYSTEM FLEX Shelf with support arms Type C - 800mm

Ref.:	73306500	73306800	73307900
Number of packets:	1	1	1
EAN:		4030177092290	4030177092344
Size WxDxH (mm):			
Weight (kg):	2.50	3.40	4.90
Ref.:	73306501	73306801	73307901
Number of packets:	1	1	1
EAN:		4030177092283	4030177092351
Size WxDxH (mm):			
Weight (kg):	2.50	3.40	4.90
Ref.:	73306590	73306890	73307990
Number of packets:	1	1	1
EAN:		4030177092276	4030177092368
Size WxDxH(mm):			
Weight (kg):	2.50	3.40	4.90

Ways to mount



Information
Information
Information
Información

Please note for two-sided shelving:
For inclined shelves you need a shelf with support arms Type C

examples:
optional accessories



Stop bracket
Ref.: 73301900



Shelf dividers open
(1 sales unit = 4 pcs)
Ref.: 73308800



Stop edge
Ref.: 73302000/01
Ref.: 73309400/01