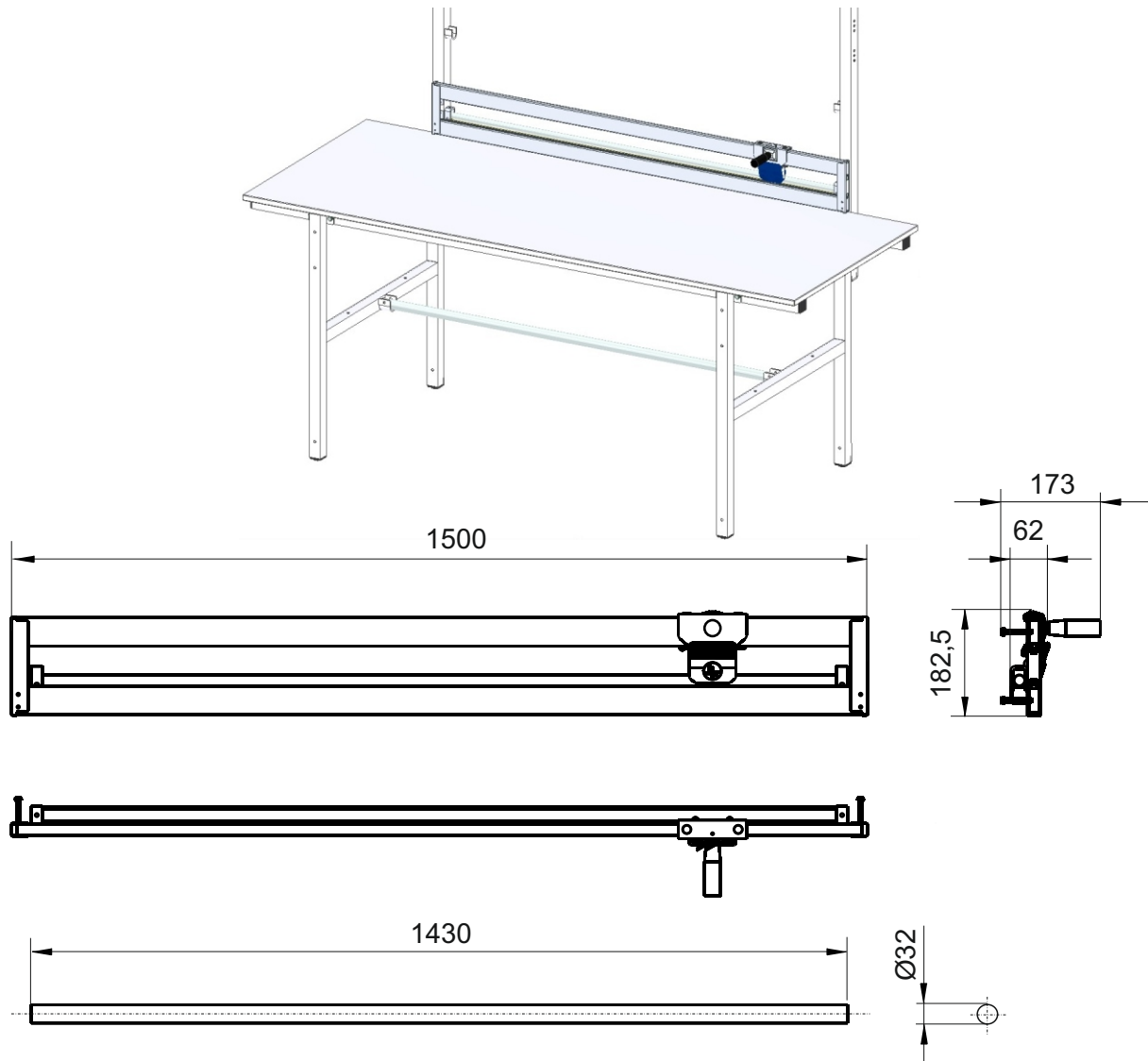



**SYSTEM BASIC Add-on cutter**


Ref.	700090		
	Cutting devise	Spindle	
Width (mm):	1500	1430	
Depth (mm):	62	32	
Height (mm):	182,5	32	
Net Weight (kg):	7.80	2.10	

**Description:**  
 Add-on cutter

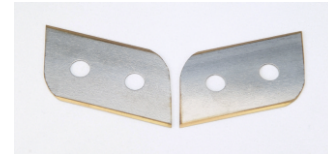
- For attachment to uprights
- Cutter with titanium-coated blade for foam, air bubble film, etc.
- Cutting width 1250mm
- Powder-coated steel parts: light gray RAL 7035
- Incl. spindle (under table), load capacity 100 kg



## SYSTEM BASIC Add-on cutter



Cutting slide (complete)  
Best.-Nr. 62502B



Blade bipartite for cassette  
for foam, air bubble film, etc.  
(without fixing plate)  
Best.-Nr. 6250200



Set of sliding shoes  
for cutting carriage  
Best.-Nr. 63525



Cassette complete with  
blades, bipartite  
Best.-Nr. 62503B

### Logistic information

Ref. 700090

## SYSTEM BASIC Add-on cutter, horizontal

Ref.	<b>700090</b>			
Number of packets:	1			
EAN:	4030177057183			
Size WxDxH (mm):	180x1550x90			
Weight (kg):	10.40			

### Examples: Optional accessories



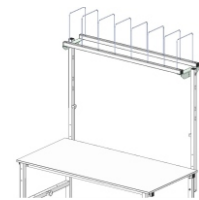
Backboard  
Ref. 700040



Uprights  
Ref. 700030



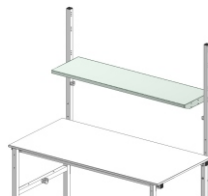
Document shelf  
Ref. 700060



Add-on storage rack  
Ref. 700050



Bottom shelf  
Ref. 700100



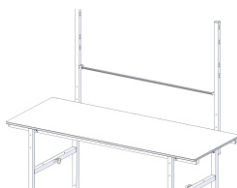
Storage shelf  
Ref. 700070



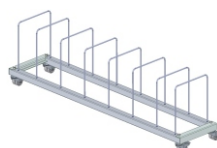
Spindle underneath the  
table (between feet)  
Ref. 700150



Side table  
Ref. 700020



Spindle between  
the uprights  
Ref. 700140



Undertable cardboard  
storage rack  
Ref. 700080



Drawer,  
lockable  
Ref. 700120