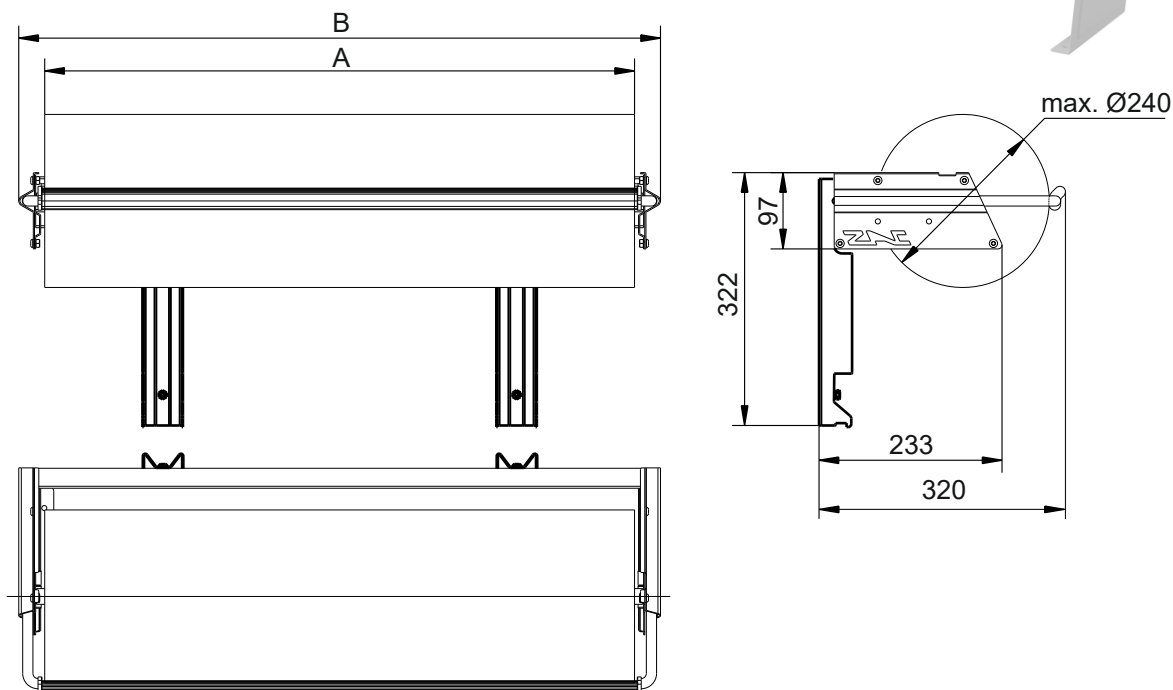




ZAC Dispenser attachment



max. roll width A (mm)	300	400	500	600	650	750	800	1000
max. roll diameter (mm)	240	240	240	240	240	240	240	240
width W (mm):	366	466	566	666	716	816	866	1066
depth D (mm):	233	233	233	233	233	233	233	233
height H (mm):	322	322	322	322	322	322	322	322
Net weight (kg):	3.10	3.30	3.60	3.80	4.00	4.20	4.30	5.00
Ref.	138030	138040	138050	138060	138065	138075	138080	138100

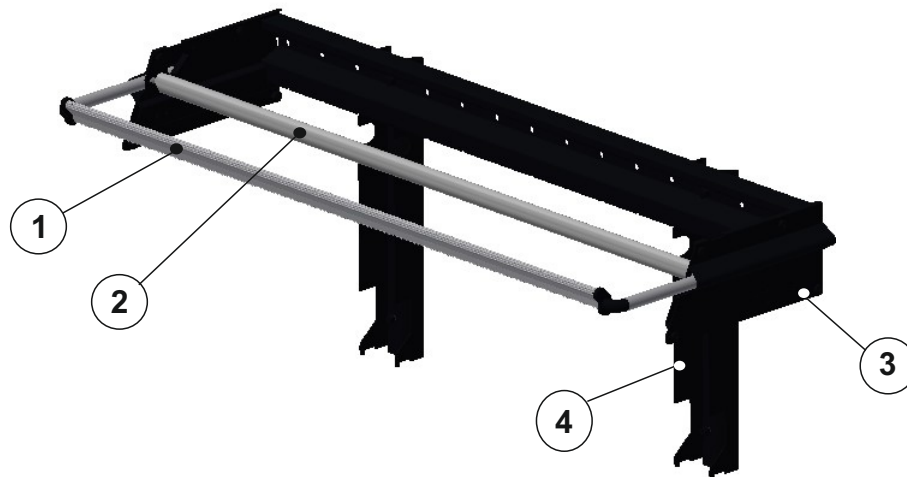
Description:

The ZAC guarantees all the functionality you would expect from a dispenser:

- practical single-hand operation
- hinged tear-off bar makes changing rolls easy
- serrated bar for paper and film as standard
- for paper and film rolls measuring 30 to 100 cm in width an 24 cm in diameter, max. 20 kg
- spring-loaded bar for constant pressure and ease of tear



ZAC Dispenser attachment

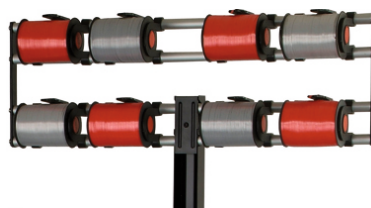


Ref. Dispenser attachment:	138030	138040	138050	138060	138065	138075	138080	138100
max. roll width (mm)	300	400	500	600	650	750	800	1000
Pos.1 Tear bar	613130	613140	613150	613160	613165	613175	613180	613111
Pos.2 Steel rod	613030	613040	613050	613060	613065	613075	613080	613011
Pos.3 Site parts compl.	137000	137000	137000	137000	137000	137000	137000	137000
Pos.4 Attachment holder	137400	137400	137400	137400	137400	137400	137400	137400

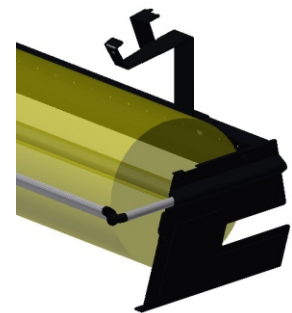
Optional accessories



Dispenser attachment for 4 bobbins
Ref.: 120424



Dispenser attachment for 8 bobbins
Ref.: 120428



Dispenser for
adhesive tape
Ref.: 120302



Table dispenser

Ref.: 136...

When combining, make sure that the attachment is not larger than the table-top appliance!



ZAC Dispenser attachment

Ref.:	138030	138040	138050
Number of packet:	1	1	1
EAN:	4030177001667	4030177001674	4030177001681
Size WxDxH (mm):	240x350x105	220x460x105	220x570x105
Weight (kg):	3.20	3.60	3.90

Ref.:	138060	138065	138075
Number of packet:	1	1	1
EAN:	4030177001698	4030177001704	4030177001711
Size WxDxH (mm):	220x660x105	220x670x105	220x810x105
Weight (kg):	4.20	4.40	4.70

Ref.:	138080	138100	
Number of packet:	1	1	
EAN:	4030177001728	4030177001735	
Size WxDxH (mm):	220x860x105	220x1060x105	
Weight (kg):	4.80	5.70	