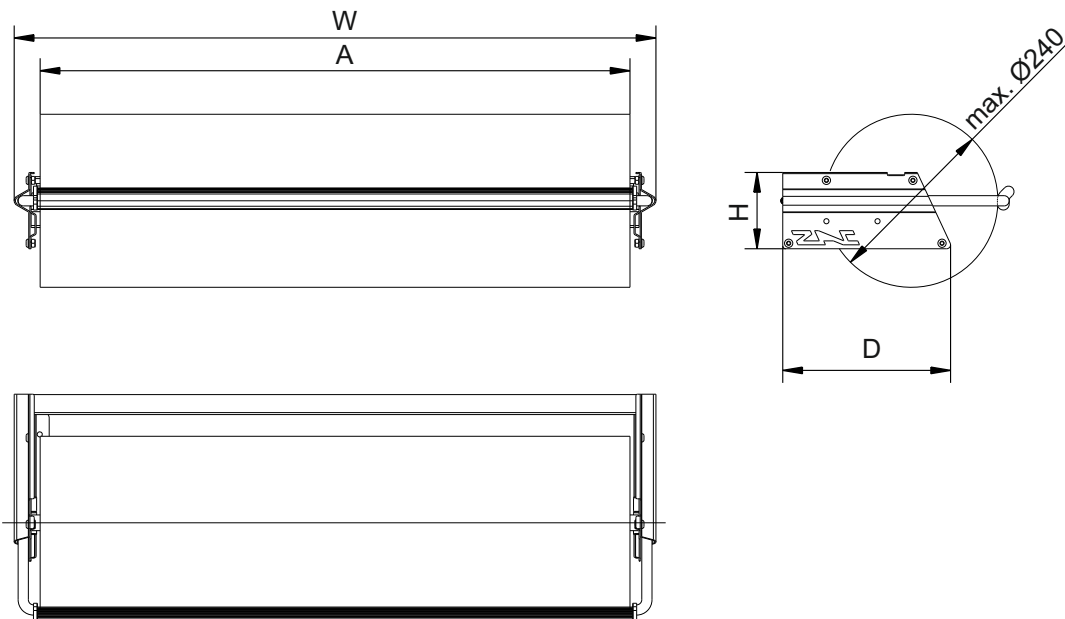




ZAC Wall dispenser



max. roll width A (mm)	300	400	500	600	650	750	800	1000
max. roll diameter (mm)	240	240	240	240	240	240	240	240
width W (mm):	366	466	566	666	716	816	866	1066
depth D (mm):	215	215	215	215	215	215	215	215
height H (mm):	97	97	97	97	97	97	97	97
Net weight (kg):	2.00	2.30	2.50	2.80	2.90	3.20	3.40	3.80
Ref.	137030	137040	137050	137060	137065	137075	137080	137100

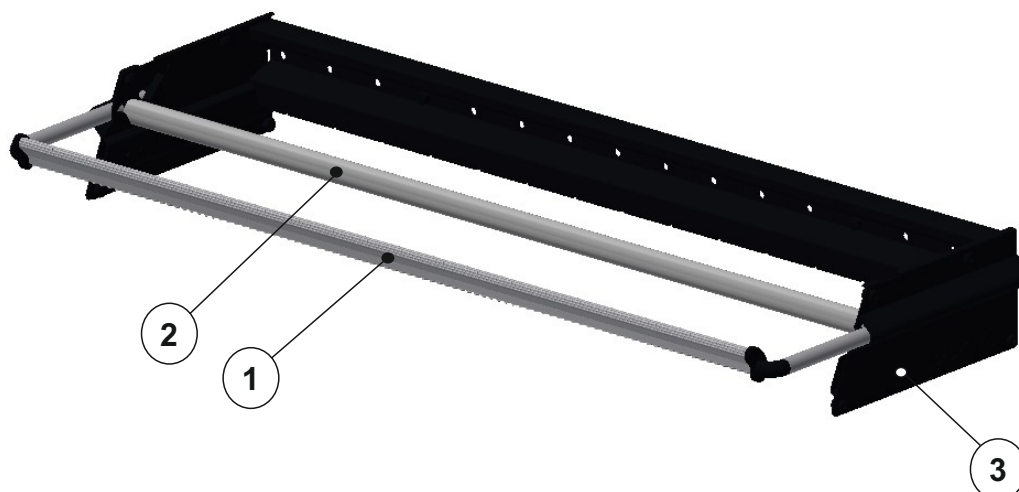
Description:

The ZAC guarantees all the functionality you would expect from a dispenser:

- practical single-hand operation
- hinged tear-off bar makes changing rolls easy
- serrated bar for paper and film as standard
- for paper and film rolls measuring 30 to 100 cm in width an 24 cm in diameter, max. 20 kg
- spring-loaded bar for constant pressure and ease of tear



ZAC Wall dispenser



Ref.	137030	137040	137050	137060	137065	137075	137080	137100
Wall dispenser:								
max. roll width (mm)	300	400	500	600	650	750	800	1000
Pos.1 Tear bar compl.	613130	613140	613150	613160	613165	613175	613180	613111
Pos.2 Steel rod	613030	613040	613050	613060	613065	613075	613080	613011
Pos.3 Side parts	137000	137000	137000	137000	137000	137000	137000	137000

Logistic information

Ref. 137...

ZAC Wall dispenser

Ref.	137030	137040	137050
Number of packet:	1	1	1
EAN:	4030177001582	4030177001599	4030177001605
Size WxDxH (mm):	220x350x105	220x460x105	220x570x105
Weight (kg):	2.30	2.60	2.80

Ref.	137060	137065	137075
Number of packet:	1	1	1
EAN:	4030177001612	4030177001629	4030177001636
Size WxDxH (mm):	220x660x105	220x670x105	220x810x105
Weight (kg):	3.10	3.30	3.60

Ref.	137080	137100	
Number of packet:	1	1	
EAN:	4030177001643	4030177001650	
Size WxDxH (mm):	220x860x105	220x1060x105	
Weight (kg):	3.80	4.40	